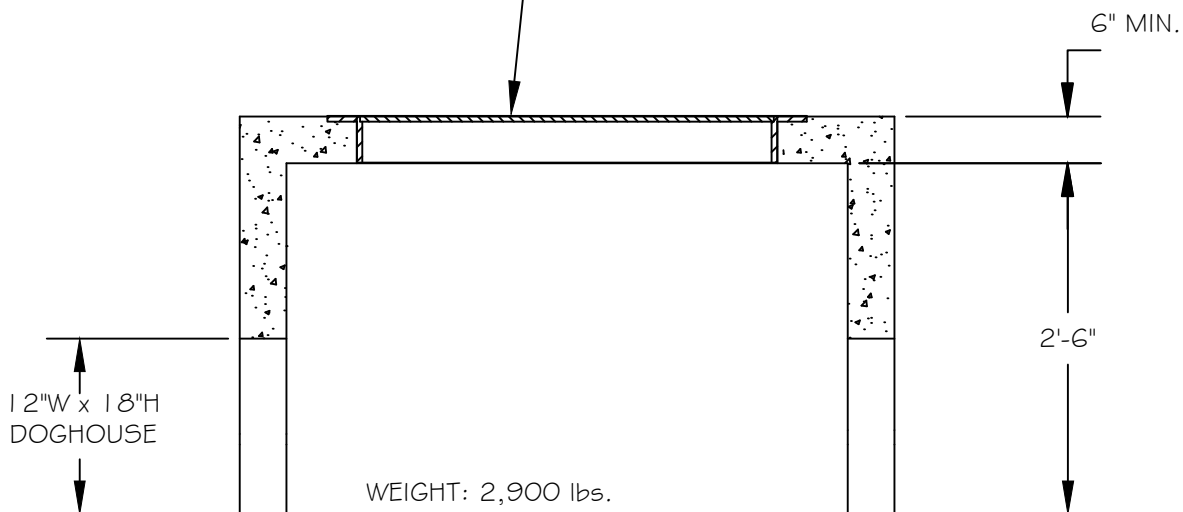


TYP SHAPE DOGHOUSE

TRAFFIC RATED ACCESS DOOR W/ SLAM LOCK CAST IN TOP



NOTES:

- 1) REINFORCEMENT: #4 @ 6" OCEW
- 2) CONCRETE: 4,000 PSI @ 28 DAYS
- 3) 6" OF #67 STONE SHALL BE PLACED IN BOTTOM OF VAULT
- 4) METER FLANGE SHALL BE PLACED 42" BELOW FINISHED GRADE

CITY OF RALEIGH				
DEPARTMENT OF PUBLIC UTILITIES				
TYPICAL 4" WATER METER VAULT				
DWG. NO.	REVISIONS	DATE	REVISIONS	DATE
W-32	A.B.B.	8-26-04		
	D.H.L.	6-18-08		