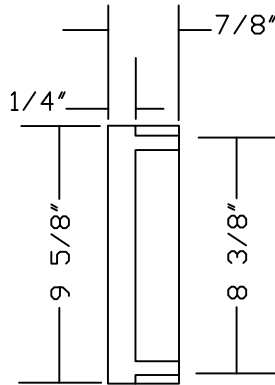
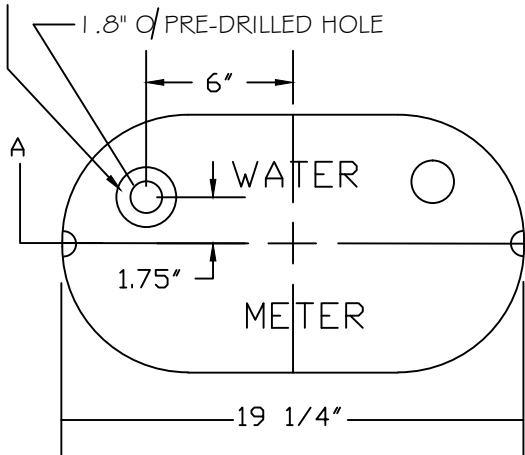
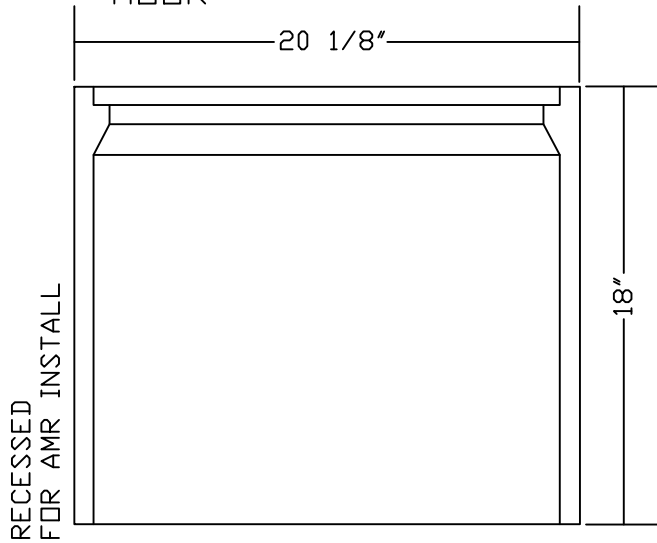


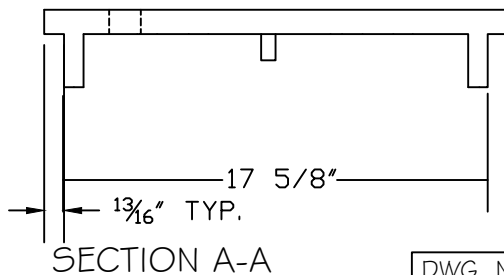
SECTION C-C

NOTES:

1. COVER WEIGHT: 13 LBS +/- 5%
2. LIDS TO BE COATED WITH BITUMINOUS COAL TAR COATING
3. BOXES AND LIDS MUST BE MANUFACTURED FROM SAME DOMESTIC FOUNDRY.



SECTION B-B



CITY OF RALEIGH  
DEPARTMENT OF PUBLIC UTILITIES

WATER METER BOX DETAIL

DWG. NO.	REVISIONS	DATE	REVISIONS	DATE
W-25			ABB	1-20-05
	R.K.V.	8-20-13	J.P.S	11-4-10