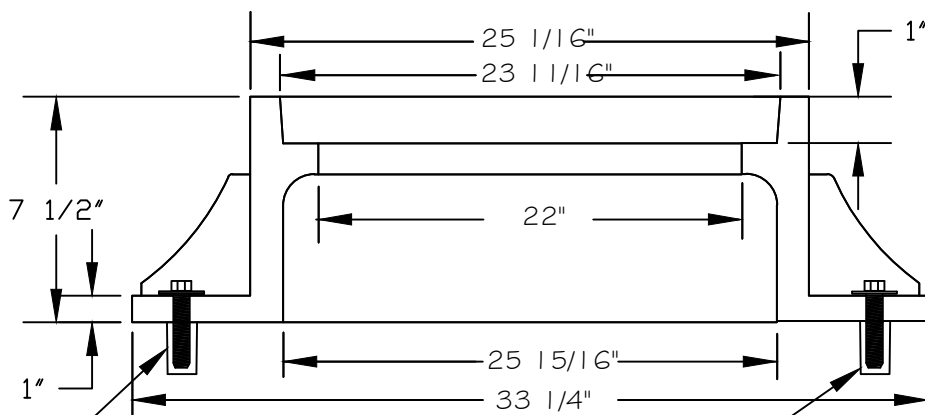
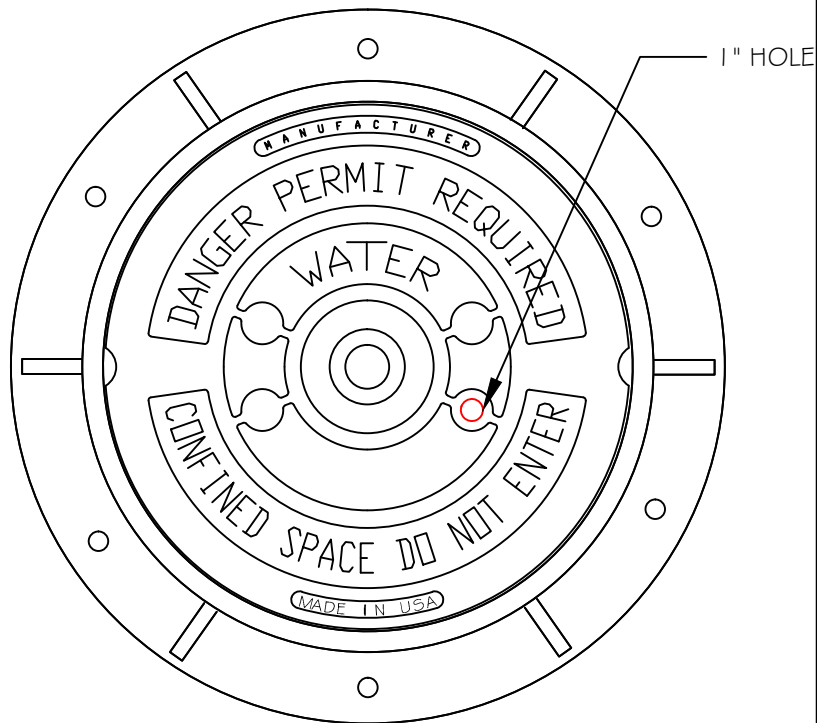
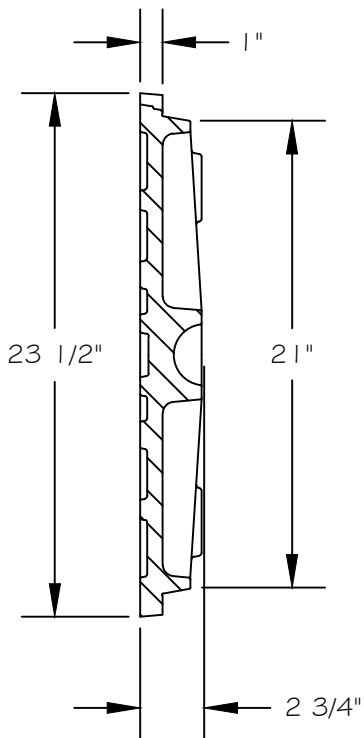


# MANHOLE FRAME AND COVER

COVER 120 LBS. MINIMUM



LAGSHIELDS MAY ONLY BE USED IN ROADWAY APPLICATIONS.

5/8"X3" LAGSHIELD IN HOLE DRILLED INTO CONE OR RING WITH ANCHOR SUNK TO DEPTH RECOMMENDED BY MANUFACTURER, AND 3/8"X3" HOT DIPPED GALVANIZED LAG BOLT AND WASHER.

NOTES:

- 1) ALL MANHOLE FRAMES SHALL BE BE DOMESTICALLY CAST
- 2) FRAME SHALL BE A MINIMUM WEIGHT OF 182 LBS.
- 3) COVER SHALL WEIGH A MIN. OF 120 LBS.
- 4) MANHOLES WITHIN PAVED SURFACES SHALL BE CONSTRUCTED IN ACCORDANCE WITH S-29.

CITY OF RALEIGH				
DEPARTMENT OF PUBLIC UTILITIES				
STANDARD MANHOLE COVER				
DWG. NO.	REVISIONS	DATE	REVISIONS	DATE
W-20	A.B.B.	4-8-04		
	D.H.L.	6-18-08		