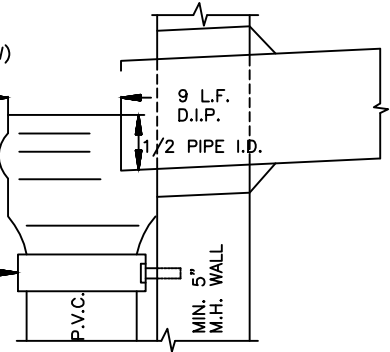


4" MIN. CLEAR FROM JOINT (ABOVE OR BELOW)

CUT TO FIT

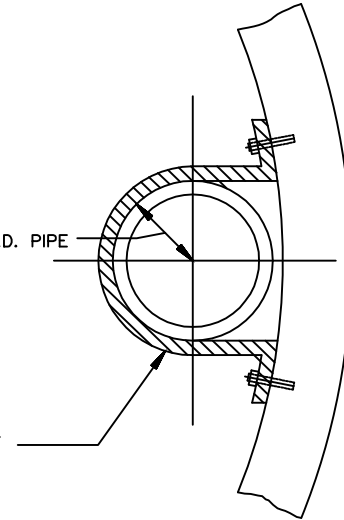
1/4"x2" STAINLESS STEEL STRAP WITH 2 ANCHOR BOLTS



ENLARGED DETAIL

R=1/2 O.D. PIPE BARREL

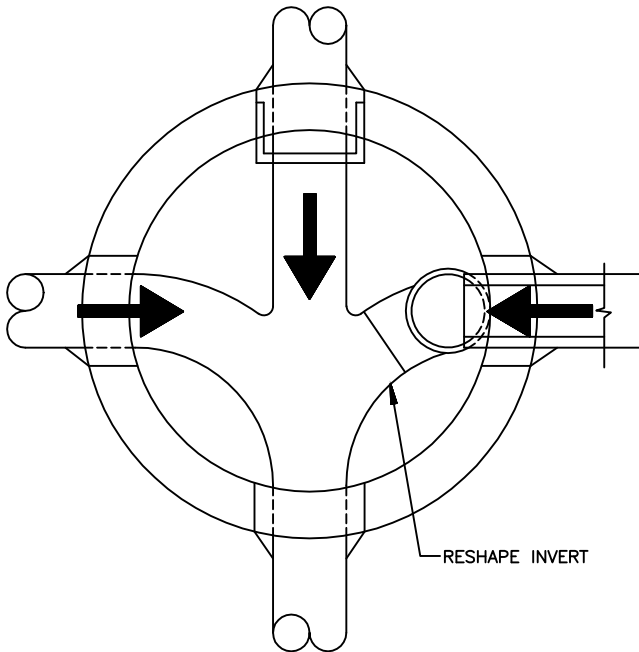
1/4"x2" STAINLESS STEEL STRAP WITH 2 ANCHOR BOLTS



SECTION B-B

NOTES:

1. PIPE FOR INSIDE DROP SHALL BE SDR 35 PVC CONFORMING TO ASTM SPECIFICATION 03034.
2. BOTTOM BEND TO BE 90° SHORT BEND, BELL SPIGOT, OF SDR 35 PVC. SPIGOT OF BEND TO REST DIRECTLY ON EXISTING SHELF. CONSTRUCT MASONRY TROUGH FROM DROP EFFLUENT TO MAIN CHANNEL.
3. NOTCH BELL OF PVC DROP TO ACCEPT D.I.P. SPIGOT AS SHOWN.
4. LOCATE STRAPS AT PIPE BELL AND ABOVE BELL OF 90° BEND AS SHOWN. ADD EXTRA STRAPS AS NECESSARY TO MAINTAIN MAXIMUM SPACING OF TEN FEET.
5. HOLE IN MANHOLE WALL TO BE MADE WITH A CORING MACHINE. INSTALL FLEXIBLE RUBBER COUPLING.
6. CORE HOLE SHALL NOT ENTER CONE SECTION.
7. STEPS SHALL BE RELOCATED IF THEY CONFLICT WITH INSIDE DROP.



SECTION A-A

CITY OF RALEIGH				
DEPARTMENT OF PUBLIC UTILITIES				
INSIDE DROP MANHOLE				
DWG. NO.	REVISIONS	DATE	REVISIONS	DATE
S-53	MAB	11-6-13		