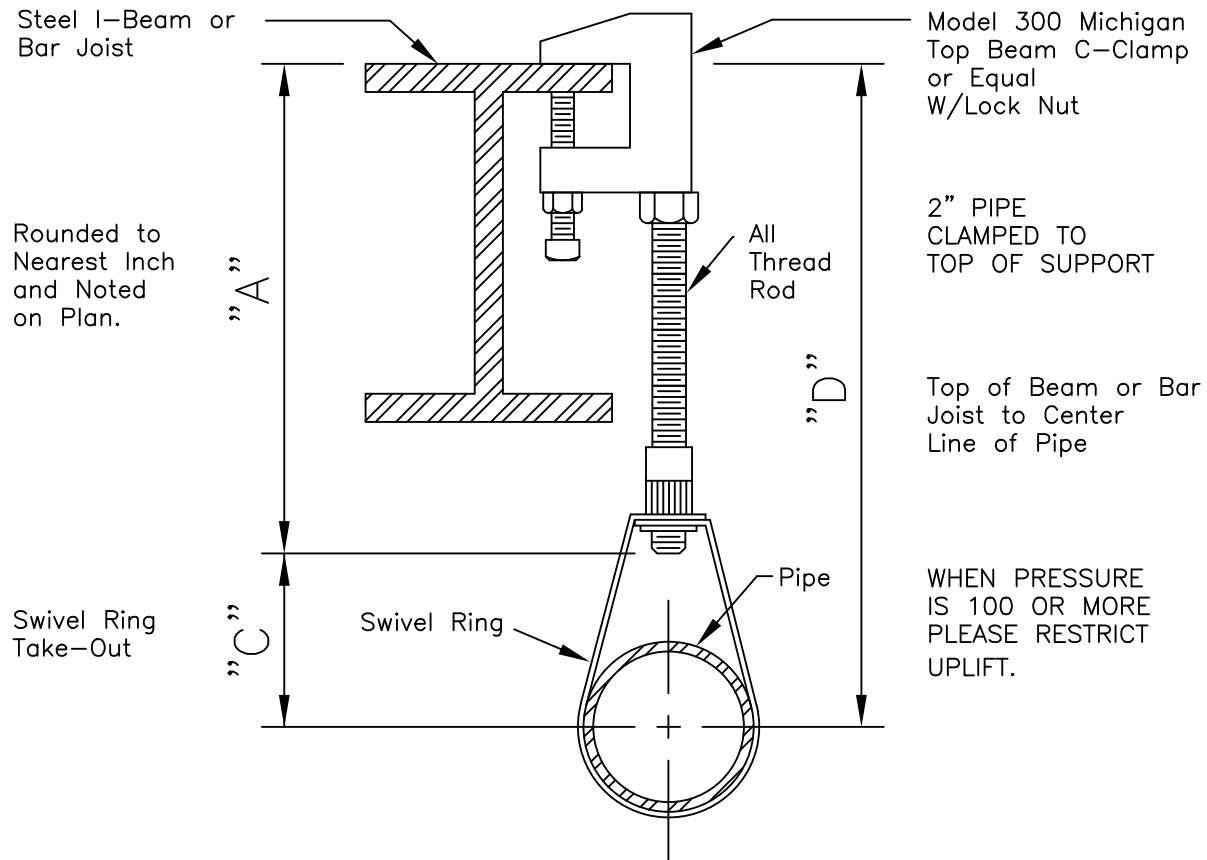


Top Beam C-Clamp



Note on Plan: Hanger Number and "A" Dimension

CITY OF RALEIGH FIRE DEPARTMENT
 FIRE PROTECTION DIVISION
 310 WEST MARTIN ST. RALEIGH, NC 27602

DESCRIPTION:
 TYPICAL PIPE HANGER DETAIL

REVISIONS:
 5-1-2017

DATE:
 5/1/06

DRAWING NO.
 FP-13